

JAY•LOR[®]

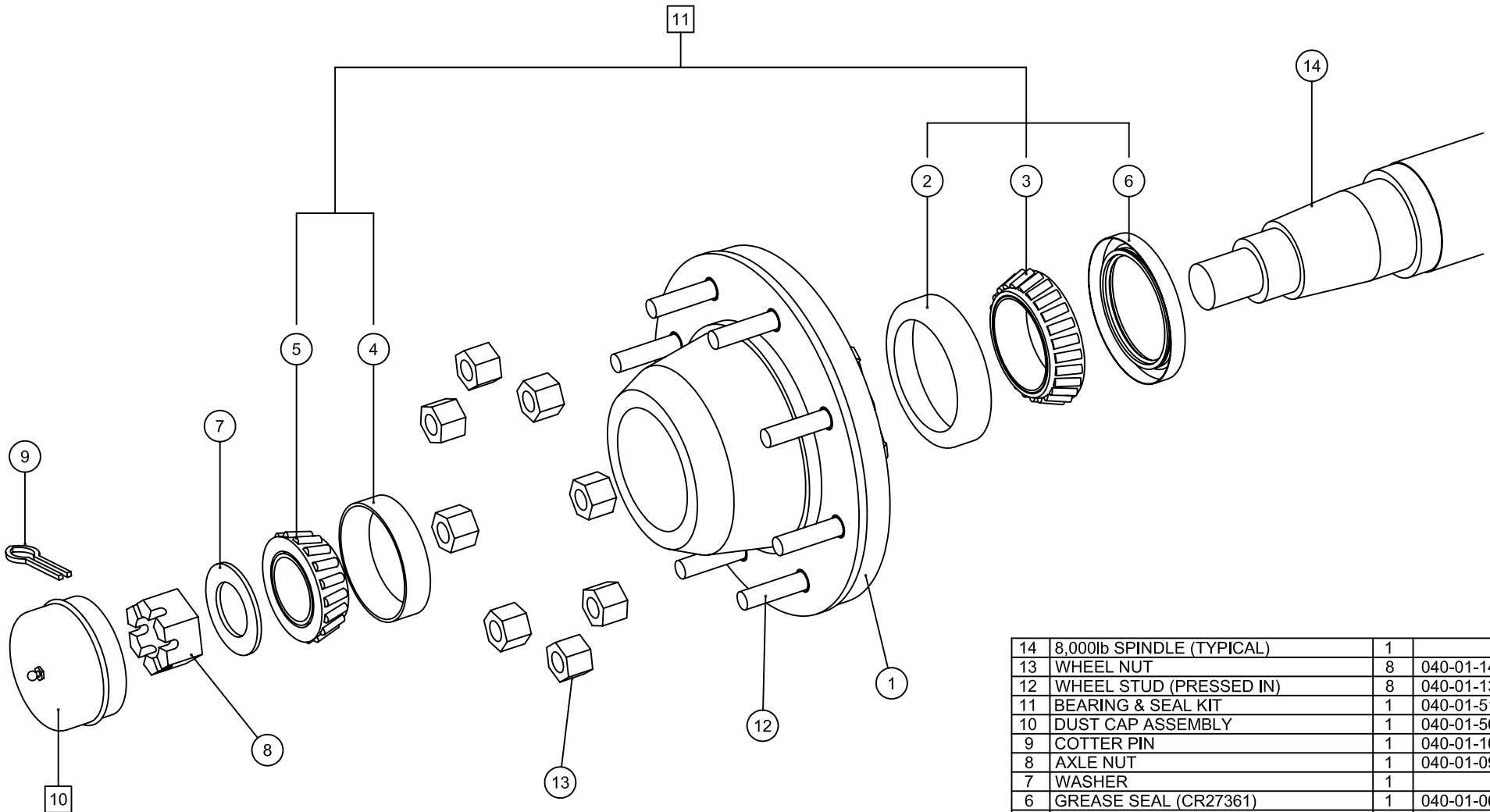
Cutter • Mixer • Feeder

04 - WHEELS

"Putting the 'Total' into TMR"

JAY-LOR[®] Fabricating Inc.
RR # 2 Orton, Ontario, Canada, L0N 1N0 Tel: (519) 787-8058 Fax: (519) 787-7053

To Print this Section, Click Here



14	8,000lb SPINDLE (TYPICAL)	1	
13	WHEEL NUT	8	040-01-14
12	WHEEL STUD (PRESSED IN)	8	040-01-13
11	BEARING & SEAL KIT	1	040-01-51
10	DUST CAP ASSEMBLY	1	040-01-50
9	COTTER PIN	1	040-01-10
8	AXLE NUT	1	040-01-09
7	WASHER	1	
6	GREASE SEAL (CR27361)	1	040-01-06
5	OUTER BEARING (501349 CONE)	1	
4	OUTER BEARING RACE (501310 CUP)	1	
3	INNER BEARING (506849 CONE)	1	
2	INNER BEARING RACE (506810 CUP)	1	
1	8,000lb 8BH CASTING	1	040-01-01
NO.	PART DESC.	QTY	PART NO.

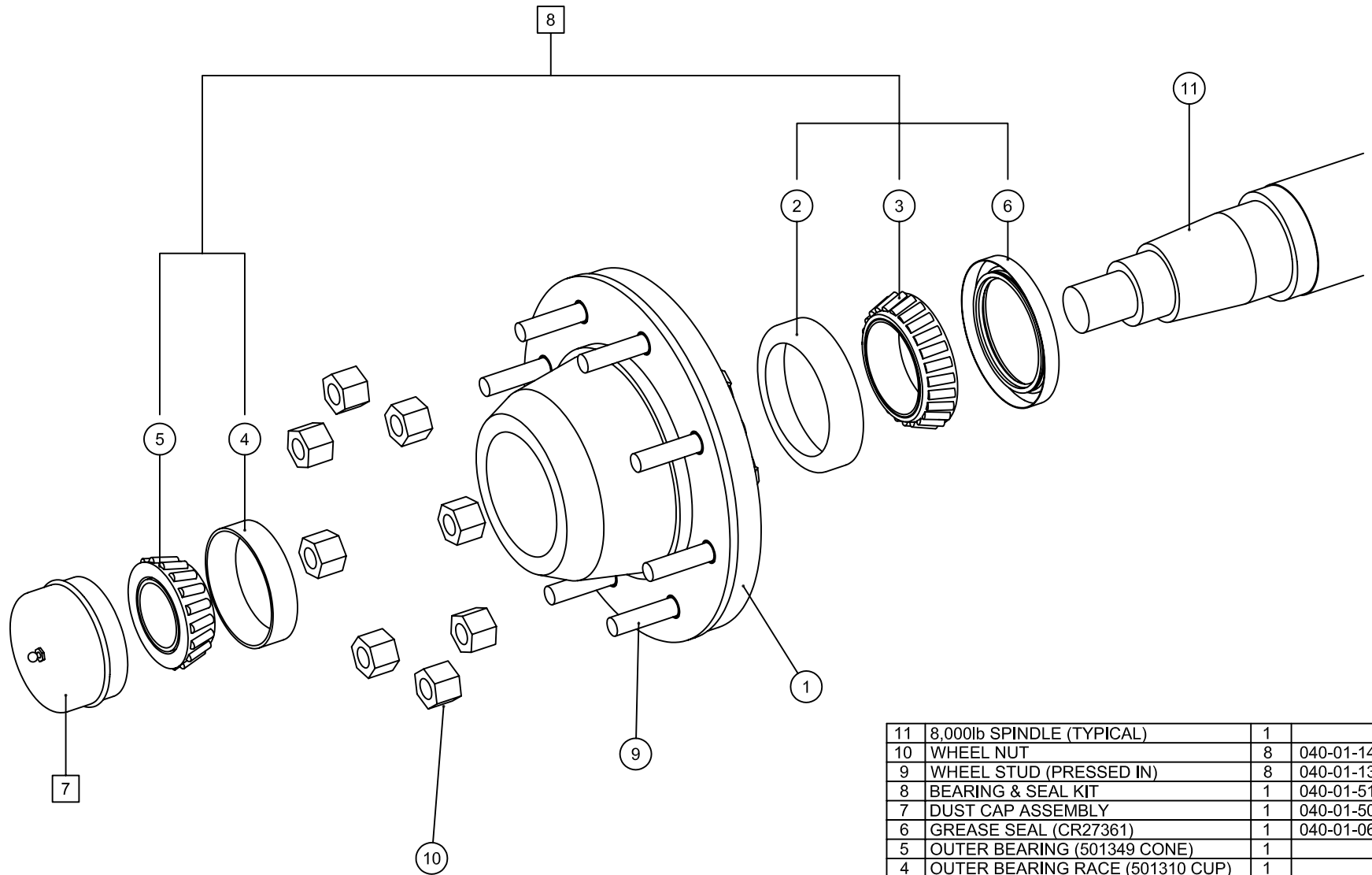
PARTS LIST

MODEL:	3300, 3350	
DATE:	AUG 1/03	SHEET 1 of 1
PART/ASSEMBLY NO:	040-01-00	



⊖ - DENOTES INDIVIDUAL PART
 ⊞ - DENOTES ASSEMBLY/SUB-ASSEMBLY

TITLE: 8,000lb, 8 BOLT HUB COMPLETE ASSEMBLY AND COMPONENTS (W/O SPINDLE)



⊖ - DENOTES INDIVIDUAL PART
 ⊞ - DENOTES ASSEMBLY/SUB-ASSEMBLY

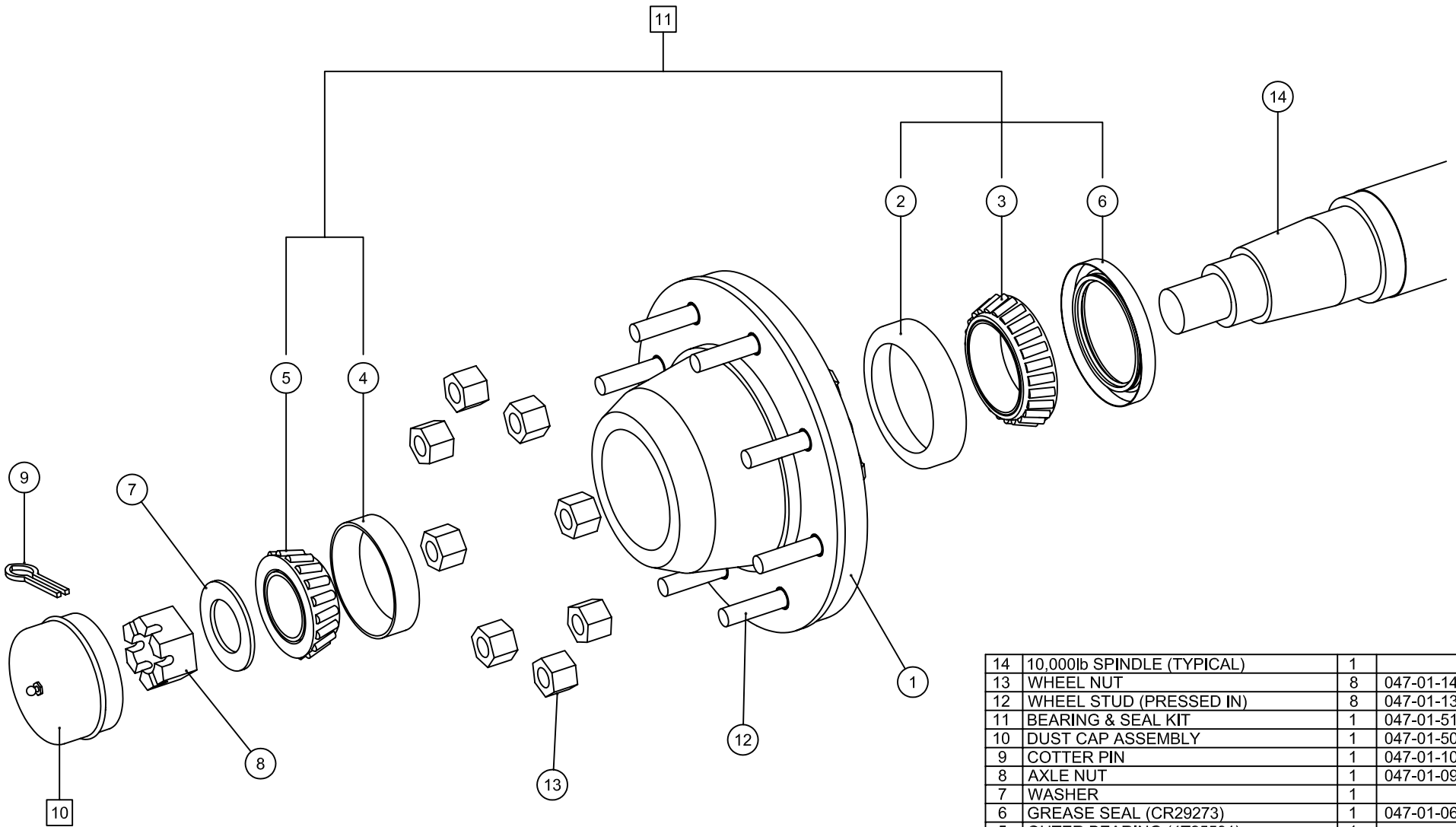
11	8,000lb SPINDLE (TYPICAL)	1	
10	WHEEL NUT	8	040-01-14
9	WHEEL STUD (PRESSED IN)	8	040-01-13
8	BEARING & SEAL KIT	1	040-01-51
7	DUST CAP ASSEMBLY	1	040-01-50
6	GREASE SEAL (CR27361)	1	040-01-06
5	OUTER BEARING (501349 CONE)	1	
4	OUTER BEARING RACE (501310 CUP)	1	
3	INNER BEARING (506849 CONE)	1	
2	INNER BEARING RACE (506810 CUP)	1	
1	8,000lb 8BH CASTING	1	040-01-01
NO.	PART DESC.	QTY	PART NO.

PARTS LIST

MODEL:	3300, 3350	
DATE:	AUG 1/03	SHEET 1 of 1
PART/ASSEMBLY NO:	040-01-52	

JAY-LOR

TITLE: 8,000lb, 8 BOLT HUB - ALL ASSEMBLY COMPONENTS EXCEPT AXLE NUT, WASHER, COTTER PIN & SPINDLE



14	10,000lb SPINDLE (TYPICAL)	1	
13	WHEEL NUT	8	047-01-14
12	WHEEL STUD (PRESSED IN)	8	047-01-13
11	BEARING & SEAL KIT	1	047-01-51
10	DUST CAP ASSEMBLY	1	047-01-50
9	COTTER PIN	1	047-01-10
8	AXLE NUT	1	047-01-09
7	WASHER	1	
6	GREASE SEAL (CR29273)	1	047-01-06
5	OUTER BEARING (4T25581)	1	
4	OUTER BEARING RACE (4T25520)	1	
3	INNER BEARING (28995)	1	
2	INNER BEARING RACE (28921)	1	
1	10,000lb 8BH CASTING	1	047-01-01
NO.	PART DESC.	QTY	PART NO.

PARTS LIST

MODEL: ALL APPLICABLE EXCEPT 3300/3350

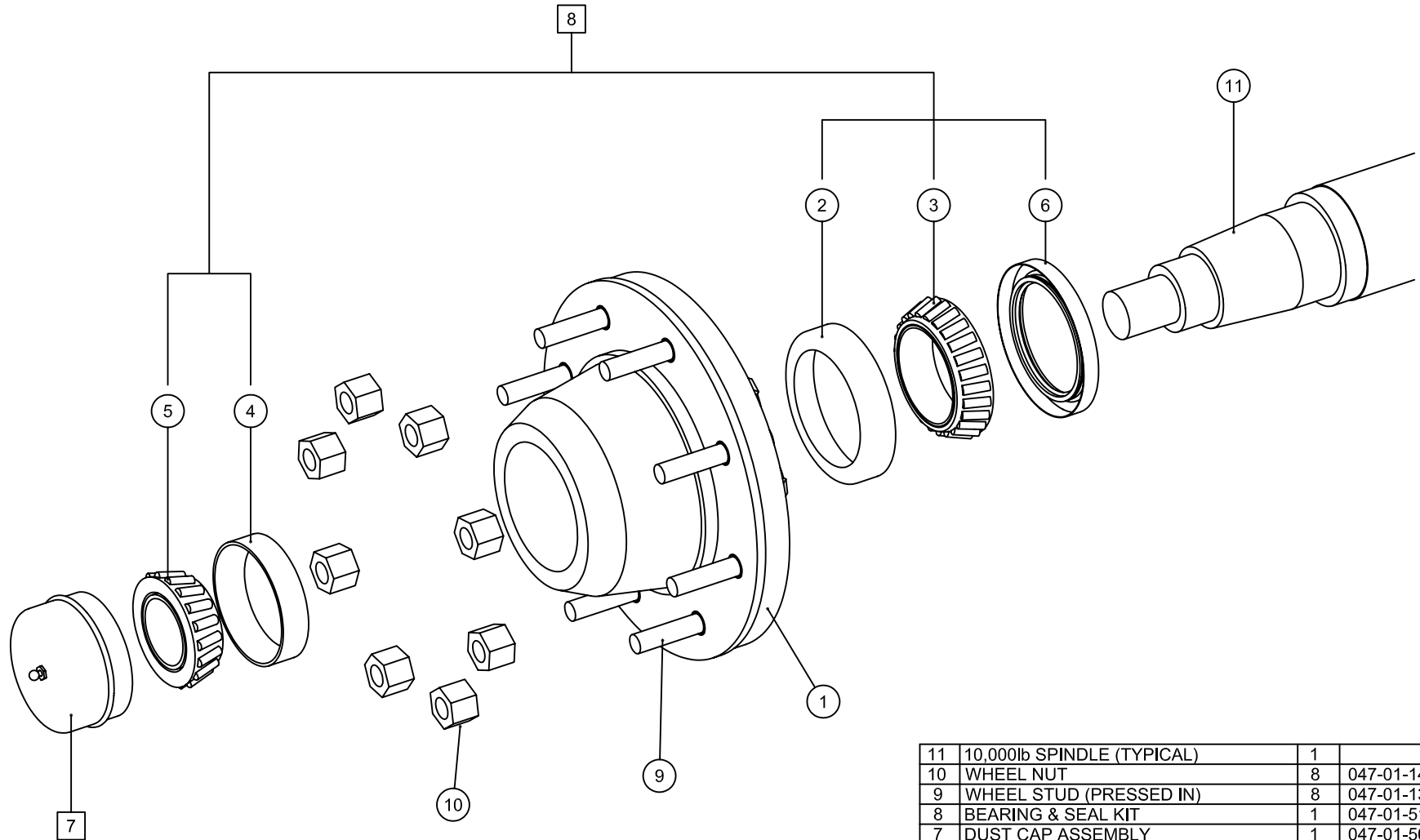
DATE: AUG 1/03 SHEET 1 of 1

PART/ASSEMBLY NO: 047-01-00



⊖ (#) - DENOTES INDIVIDUAL PART
 ⊖ (#) - DENOTES ASSEMBLY/SUB-ASSEMBLY

TITLE: 10,000lb, 8 BOLT HUB COMPLETE ASSEMBLY AND COMPONENTS (W/O SPINDLE)



⊖ - DENOTES INDIVIDUAL PART
 ⊞ - DENOTES ASSEMBLY/SUB-ASSEMBLY

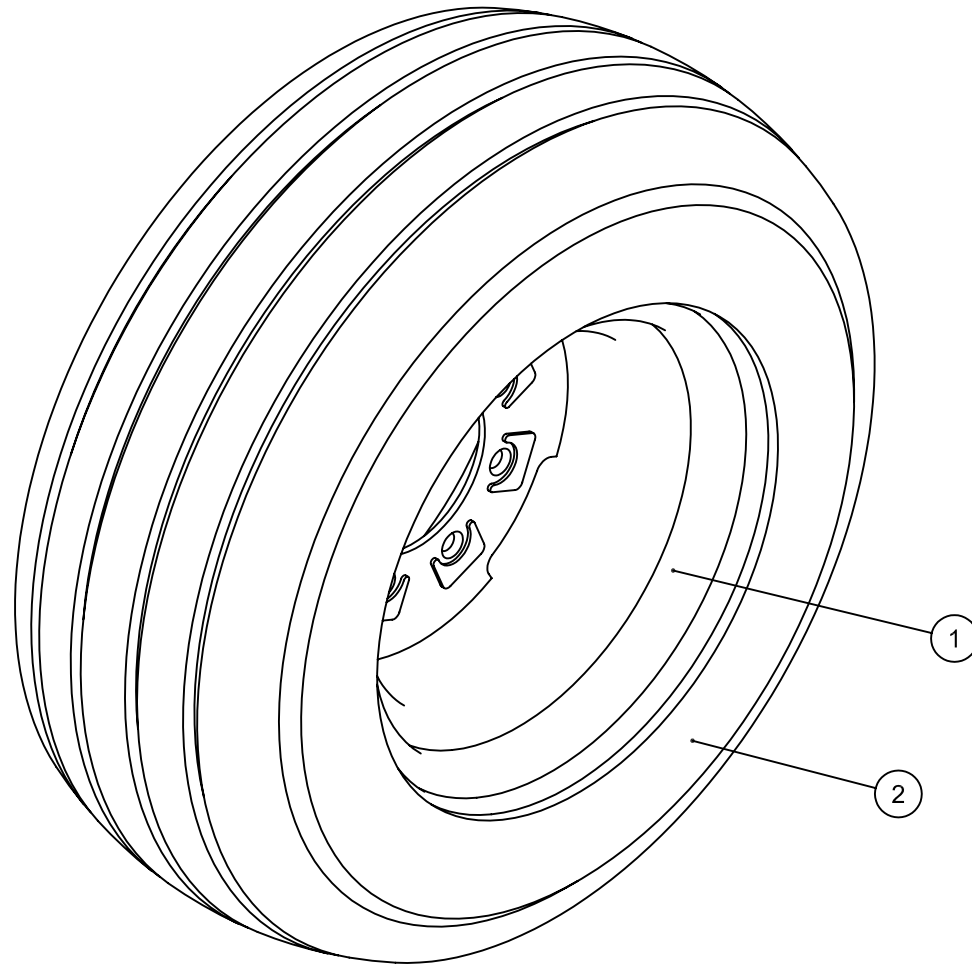
11	10,000lb SPINDLE (TYPICAL)	1	
10	WHEEL NUT	8	047-01-14
9	WHEEL STUD (PRESSED IN)	8	047-01-13
8	BEARING & SEAL KIT	1	047-01-51
7	DUST CAP ASSEMBLY	1	047-01-50
6	GREASE SEAL (CR29273)	1	047-01-06
5	OUTER BEARING (4T25581)	1	
4	OUTER BEARING RACE (4T25520)	1	
3	INNER BEARING (28995)	1	
2	INNER BEARING RACE (28921)	1	
1	10,000lb 8BH CASTING	1	047-01-01
NO.	PART DESC.	QTY	PART NO.

PARTS LIST

MODEL: ALL APPLICABLE EXCEPT 3300/3350
 DATE: AUG 1/03 SHEET 1 of 1
 PART/ASSEMBLY NO: 047-01-52



TITLE: 10,000lb, 8 BOLT HUB - ALL ASSEMBLY COMPONENTS EXCEPT AXLE NUT, WASHER, COTTER PIN & SPINDLE



- DENOTES INDIVIDUAL PART
- DENOTES ASSEMBLY/SUB-ASSEMBLY

3	VALVE STEM	1	040-09-03
2	TIRE - GOODYEAR, 12.5x15, 12-PLY	1	040-09-04
1	RIM - 15x10, 8-BOLT, 6000 lb	1	040-09-02
NO.	PART DESC.	QTY	PART NO.

PARTS LIST

MODEL:		ALL APPLICABLE	
DATE:	AUG 1/03	SHEET	1 of 1
PART/ASSEMBLY NO:	040-09-01		



TITLE: WHEEL ASSEMBLY - GOODYEAR 12.5X15, 12-PLY TIRE ON 15x10, 8-BOLT, 6000 lb RIM